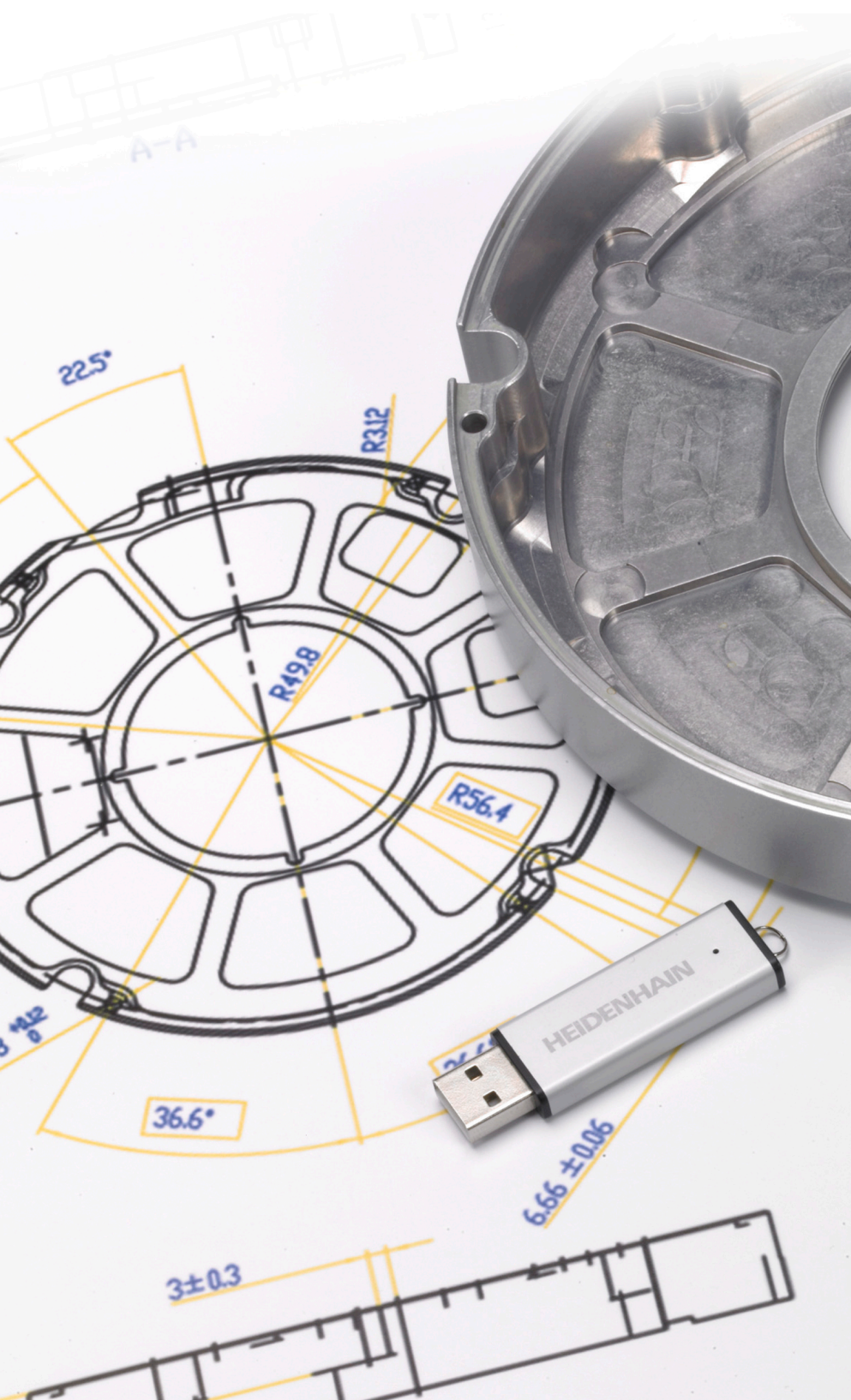




# HEIDENHAIN



## NC-Solutions

Zeichnungssatz 13005

Deutsch (de)  
6/2018

# 1 Zeichnungssatz\_13005

## Zeichnungssatz Koordinatenkreuz

Text:		ID number							
		Change No.	C000941-10						
		Phase:	Nicht-Serie						
<table border="1" style="width: 100%; border-collapse: collapse;"> <tr> <td style="width: 30px; text-align: center;">Original drawing</td> <td style="width: 30px; text-align: center;">Scale</td> <td style="width: 30px; text-align: center;">Format</td> </tr> <tr> <td style="text-align: center;">RoHS</td> <td style="text-align: center;">1:1</td> <td style="text-align: center;">A4</td> </tr> </table>		Original drawing	Scale	Format	RoHS	1:1	A4	<b>Klotz</b> <b>Block</b>	
Original drawing	Scale	Format							
RoHS	1:1	A4							
Maße in mm / Dimensions in mm		Einzelteilzeichnung / Component Drawing							
Werkstückkanten nach ISO 13715 Workpiece edges ISO 13715 		●blanke Flächen/Blank surfaces Tolerierung nach ISO 8015 Tolerances as per ISO 8015 Oberflächen nach ISO 1302 Surfaces as per ISO 1302 Oberflächenbehandlung: Surface treatment:							
The reproduction, distribution and utilization of this document as well as the communication of its contents to others without express authorization is prohibited. Offenders will be held liable for the payment of damages. All rights reserved in the event of the grant of a patent, utility model or design. ( ISO 16016 )									
<b>HEIDENHAIN</b> DR. JOHANNES HEIDENHAIN GmbH 83301 Traunreut, Germany		Created	Responsible						
		Released	Version   Revision   Sheet   Page						
Feichtner 25.06.2018		<b>D1258492-00-A-01</b> Document number							
		1 of 1							

